

Body type

Unit: Inch/mm

Only for Ø, E, E2 light	Only for E1, E3 light
A0 Stainless(Natural)(Std.), Round C3 Al alloy(Black Anodized) (Std.), Round	D0 Stainless(Natural)(Std.), Flat F3 Al alloy(Black Anodized) (Std.), Flat
Panel thickness: .394 inch(10.0mm) Max.	

Actuator type

Unit: Inch/mm

F Flat(Std.)	H High, Without led
	Only available for aluminum body options.

Light type

Unit: Inch/mm

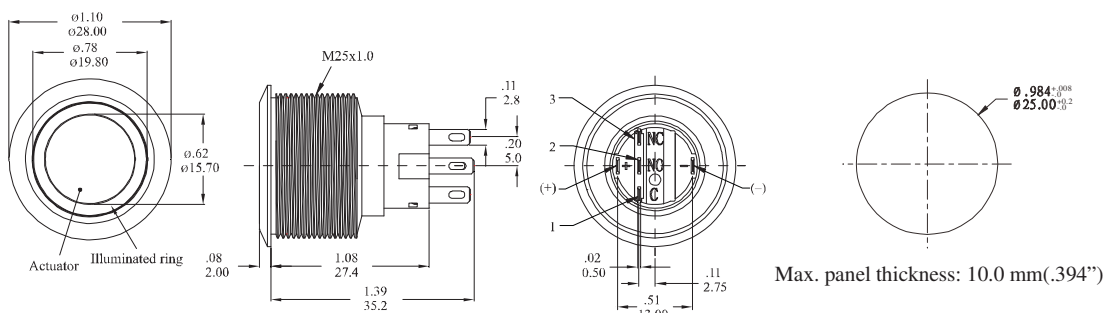
Ø Without Led	E/ E2 Ring(Moveable)	E1/ E3 Ring(Moveable) + Power symbol
For actuator type H only		Available with body type D0 only.

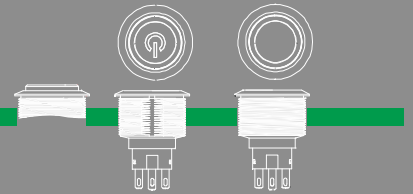
Dimensions

Unit: Inch/mm

Part No. Shown: PB25-A0F10E-112-M1S

E Ring(Moveable)



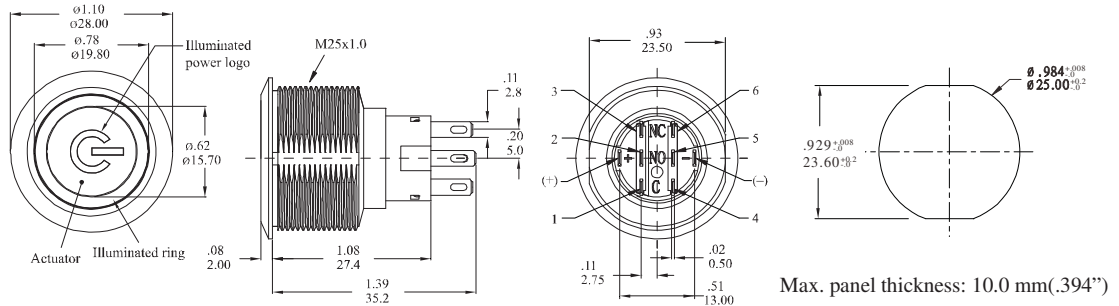


Dimensions

Unit: Inch/mm

Part No. Shown: PB25-D0F20E1-112-M1S

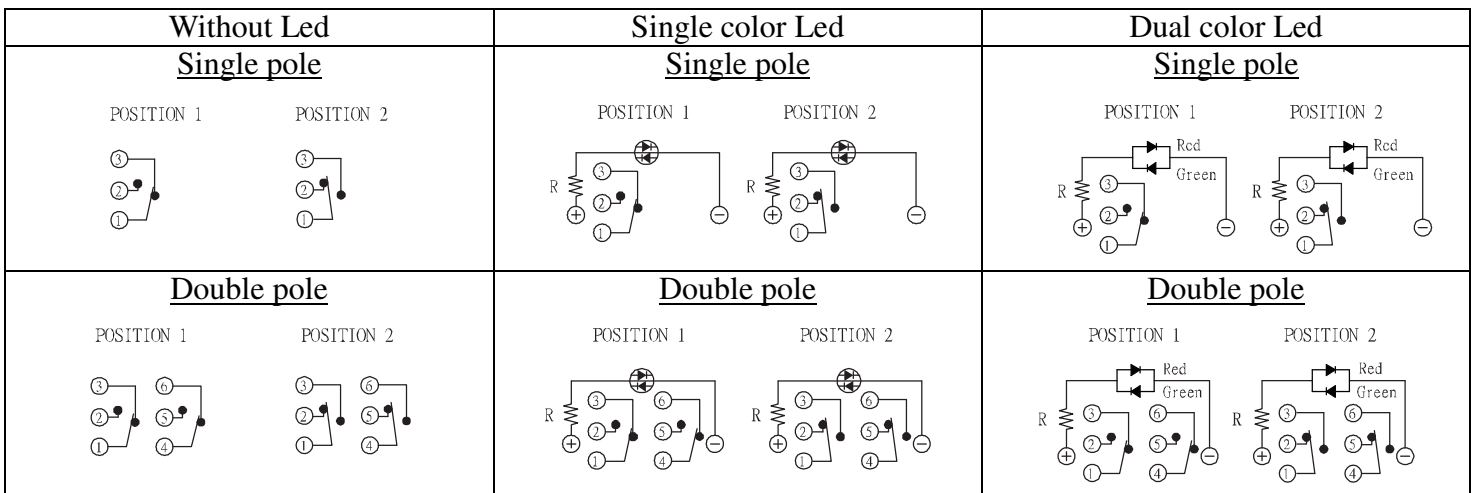
E1 Ring (Moveable + Power symbol)



LED Color

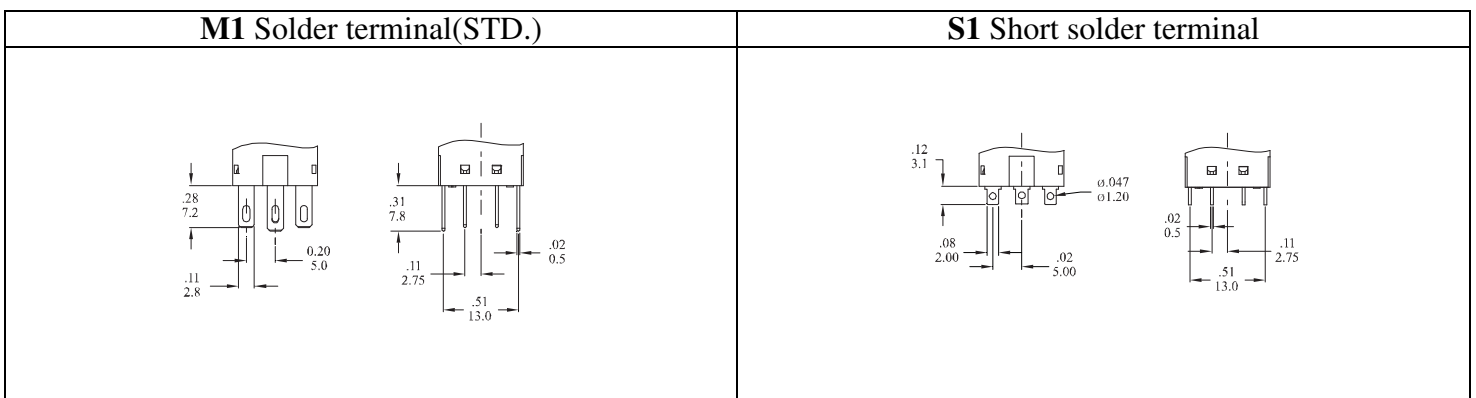
Single color Led				Dual color Led					
0	Without Led	5	Yellow	A	Red + Green	G	Red + Yellow	P	Blue + Green
1	White	6	Green	B	Red + Blue	H	Green + Yellow		
3	Red	7	Blue	D	Blue + Yellow	J	Orange + Green		

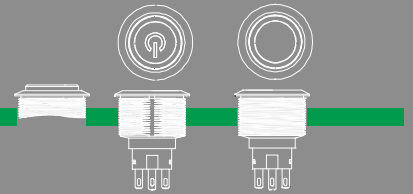
Circuit



Termination

Unit: Inch/mm

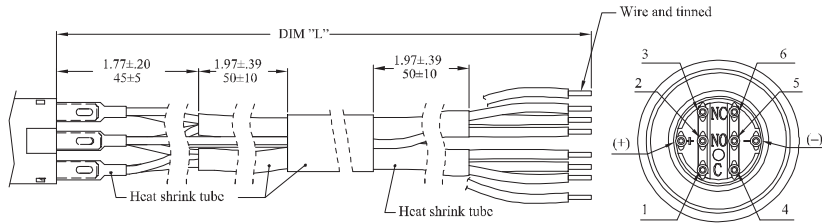




Termination

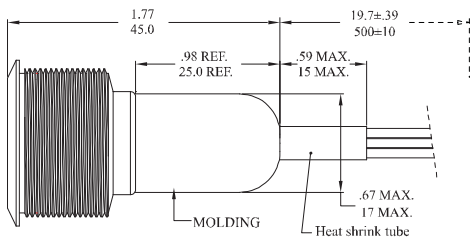
Unit: Inch/mm

T Wire leads UL3385 18 AWG (Flying lead Terminal)



- T1** Flying lead terminals
DIM. "L"=500mm
- T2** Flying lead terminals
DIM. "L"=1000mm
- T3** Flying lead terminals
DIM. "L"=1500mm
- T4** Flying lead terminals
DIM. "L"=2000mm

D1 Molding, 500mm wire leads UL3385 18 AWG

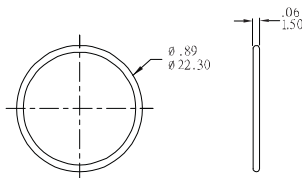


Wires:
 Yellow wire – Terminal 1 and 4
 Purple wire – Terminal 2 and 5
 Green wire – Terminal 3 and 6
 Red wire – LED (+) Positive
 Black wire – LED(-) Negative
 *Please consult sales for additional wire options.

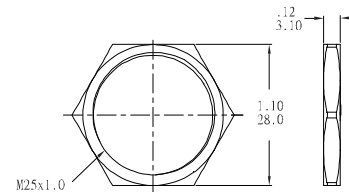
Hardware

Unit: Inch/mm

O-ring(STD.)



Nut(STD.)



O-ring installation

Proposal	In front of the panel	Behind the panel
Installation diagram		